

**Application guidelines      Technical specifications**

**50 Hz data**

Model	Nominal Cap. 60 Hz	Nominal cooling capacity		Power input	COP	E.E.R.	Swept volume	Displacement ①	Oil charge	Net weight ②	
	TR	W	Btu/h	kW	W/W	Btu/h /W	cu.in/rev	cu.ft/h	oz	lbs	
<b>R22 SINGLE</b>	<b>SM084</b>	7	20 400	69 600	6.12	3.33	11.4	6.99	703	112.08	141
	<b>SM090</b>	7.5	21 800	74 400	6.54	3.33	11.4	7.35	741	112.08	143
	<b>SM100</b>	8	23 100	78 800	6.96	3.33	11.4	7.76	782	112.08	143
	<b>SM110</b>	9	25 900	88 400	7.82	3.32	11.3	8.80	886	112.08	161
	<b>SM112</b>	9.5	27 600	94 200	7.92	3.49	11.9	9.25	931	112.08	141
	<b>SM120</b>	10	30 100	102 700	8.96	3.36	11.5	10.17	1024	112.08	161
	<b>SM124</b>	10	31 200	106 500	8.75	3.56	12.2	10.34	1042	112.08	141
	<b>SM147</b>	12	36 000	122 900	10.08	3.57	12.2	11.81	1190	112.08	148
	<b>SM148</b>	12	36 100	123 200	10.8	3.34	11.4	12.14	1222	122.26	194
	<b>SM161</b>	13	39 000	133 100	11.59	3.37	11.5	13.22	1331	122.26	194
	<b>SM175</b>	14	42 000	143 300	12.47	3.37	11.5	14.22	1432	210.57	220
	<b>SM/SY185</b>	15	45 500	155 300	13.62	3.34	11.4	15.25	1535	210.57	220
	<b>SY240</b>	20	61 200	208 900	18.2	3.36	11.5	21.22	2137	271.70	331
	<b>SY300</b>	25	78 200	266 900	22.83	3.43	11.7	26.70	2687	271.70	346
	<b>SY380</b>	30	94 500	322 500	27.33	3.46	11.8	32.42	3263	285.28	348
<b>R407C SINGLE</b>	<b>SZ084</b>	7	19 300	65 900	6.13	3.15	10.8	6.99	703	112.08	141
	<b>SZ090</b>	7.5	20 400	69 600	6.45	3.16	10.8	7.35	741	112.08	143
	<b>SZ100</b>	8	21 600	73 700	6.84	3.15	10.8	7.76	782	112.08	143
	<b>SZ110</b>	9	24 600	84 000	7.76	3.17	10.8	8.80	886	112.08	161
	<b>SZ120</b>	10	28 600	97 600	8.99	3.17	10.8	10.17	1024	112.08	161
	<b>SZ147</b>	12	34 900	119 100	9.92	3.52	12.0	11.81	1190	112.08	148
	<b>SZ148</b>	12	35 100	119 800	10.99	3.19	10.9	12.14	1222	122.26	194
	<b>SZ161</b>	13	37 900	129 700	11.84	3.21	11.0	13.22	1331	122.26	194
	<b>SZ175</b>	14	40 100	136 900	12.67	3.17	10.8	14.22	1432	210.57	220
	<b>SZ185</b>	15	43 100	147 100	13.62	3.16	10.8	15.25	1535	210.57	220
	<b>SY240</b>	20	59 100	201 700	18.55	3.19	10.9	21.22	2137	271.70	331
	<b>SY300</b>	25	72 800	248 100	22.73	3.2	10.9	26.70	2687	271.70	346
	<b>SY380</b>	30	89 600	305 800	27.59	3.25	11.1	32.42	3263	285.28	348

TR = Ton of Refrigeration

COP = Coefficient Of Performance

EER = Energy Efficiency Ratio

① Displacement at nominal speed: 2900 rpm at 50 Hz, 3500 rpm at 60Hz

② Net weight with oil charge

Data given for code 4 compressor, for full data details and capacity tables refer to Online Datasheet Generator: [www.danfoss.com/ODSG](http://www.danfoss.com/ODSG)

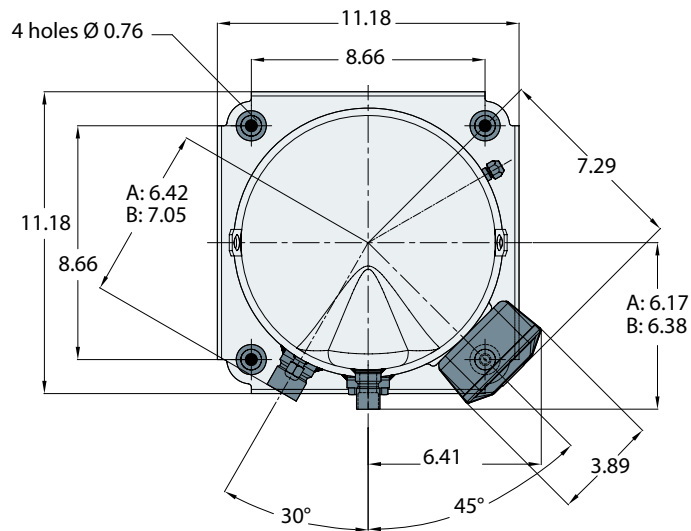
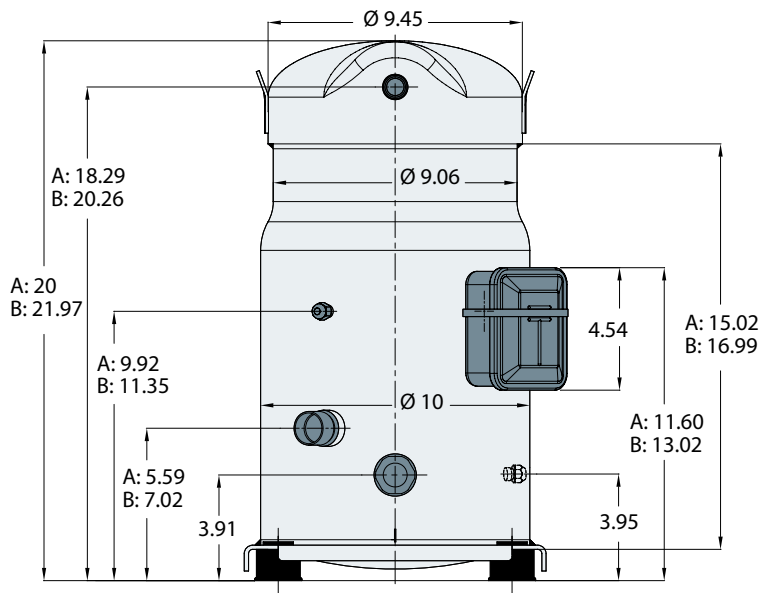
**Rating conditions**

	SM/SY compressors	SZ compressors
Refrigerant	R22	R407C
Frequency	50 Hz	50 Hz
Standard rating conditions	ARI standard conditions	-
Evaporating temperature	45°F	45°F (dew point)
Condensing temperature	130°F	130°F (dew point)
Sub-cooling	15°F	15°F
Superheat	20°F	20°F

Subject to modification without prior notification

For full data details and capacity tables refer to Online Datasheet Generator : [www.danfoss.com/odsg](http://www.danfoss.com/odsg)

SM/SZ 084-090-100-110-120



All dimensions in inch

A: SM/SZ 084-090-100  
B: SM/SZ 110-120

**Grommet**

